

AXOR[®]

ARTE INTERIOR 



CONCEALED INTERIOR DOOR HINGES

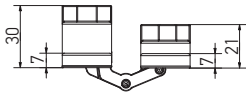
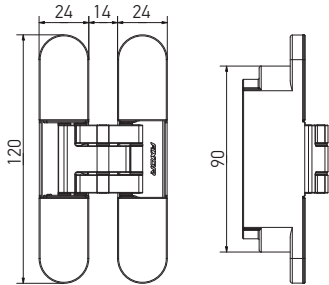
**FOR TIMBER
AND MDF DOORS**



axorindustry.com

CONCEALED INTERIOR DOOR HINGES

Concealed interior door hinges ARTE Interior 24 for timber and MDF doors, with the possibility of adjustment. Maximum door weight for a set of two hinges up to 60 kg. Quantity in the package: 2 pcs.



D5004-00-N01

White
RAL 9016



D5004-00-N03

Chrome matte



D5005-00-N01

White RAL 9016,
zinc coated



D5004-00-N05

Gold



D5005-00-N03

Chrome matte,
zinc coated



D5004-00-N06

Bronze



D5005-00-N07

Matte black RAL 9005,
zinc coated

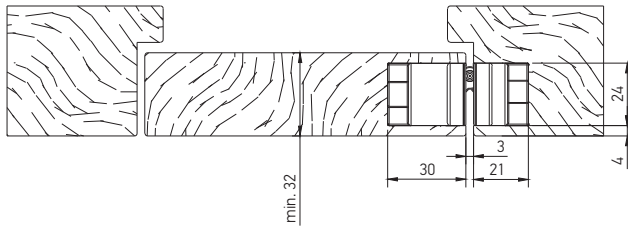


D5004-00-N07

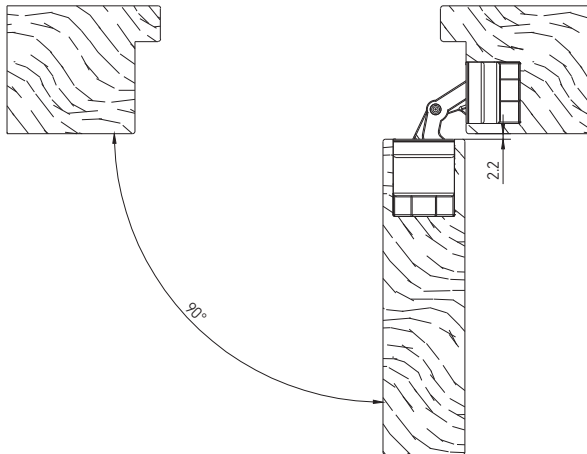
Matte black RAL 9005

INSTALLATION OF CONCEALED HINGES

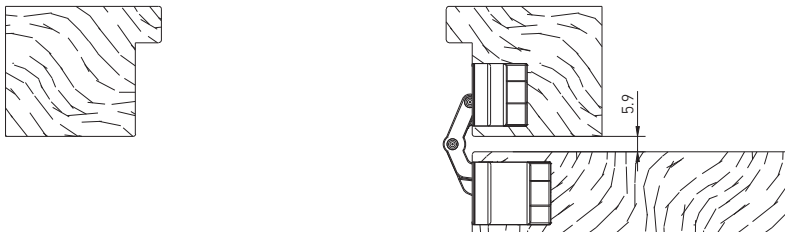
CLOSED



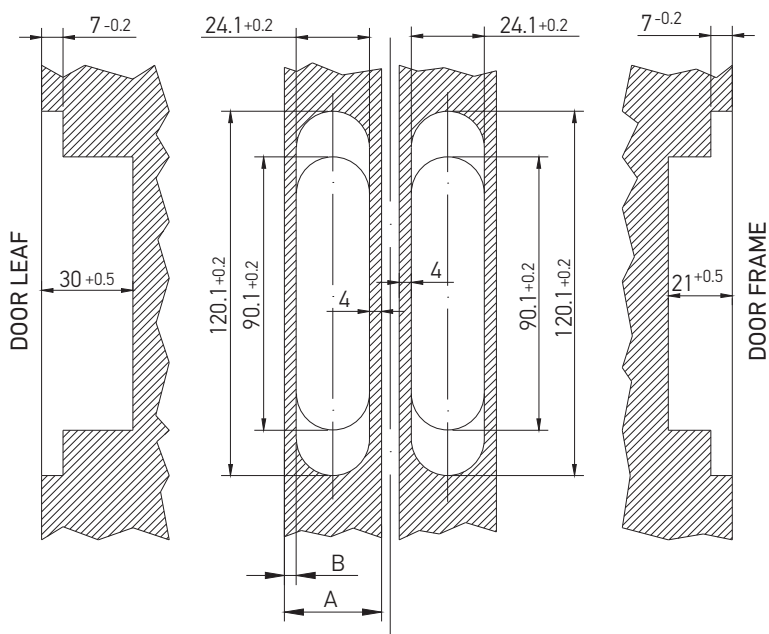
OPENED 90°



OPENED 180°

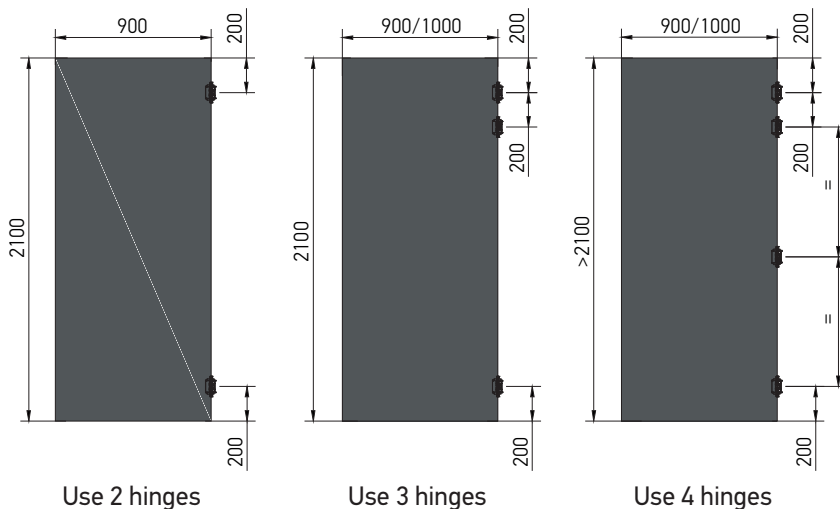


DIMENSIONS FOR MILLING



A, mm	B, mm
32	4
33	5
34	6
35	7
36	8
37	9
38	10
39	11
40	12
41	13
42	14

INSTALLATION SCHEME

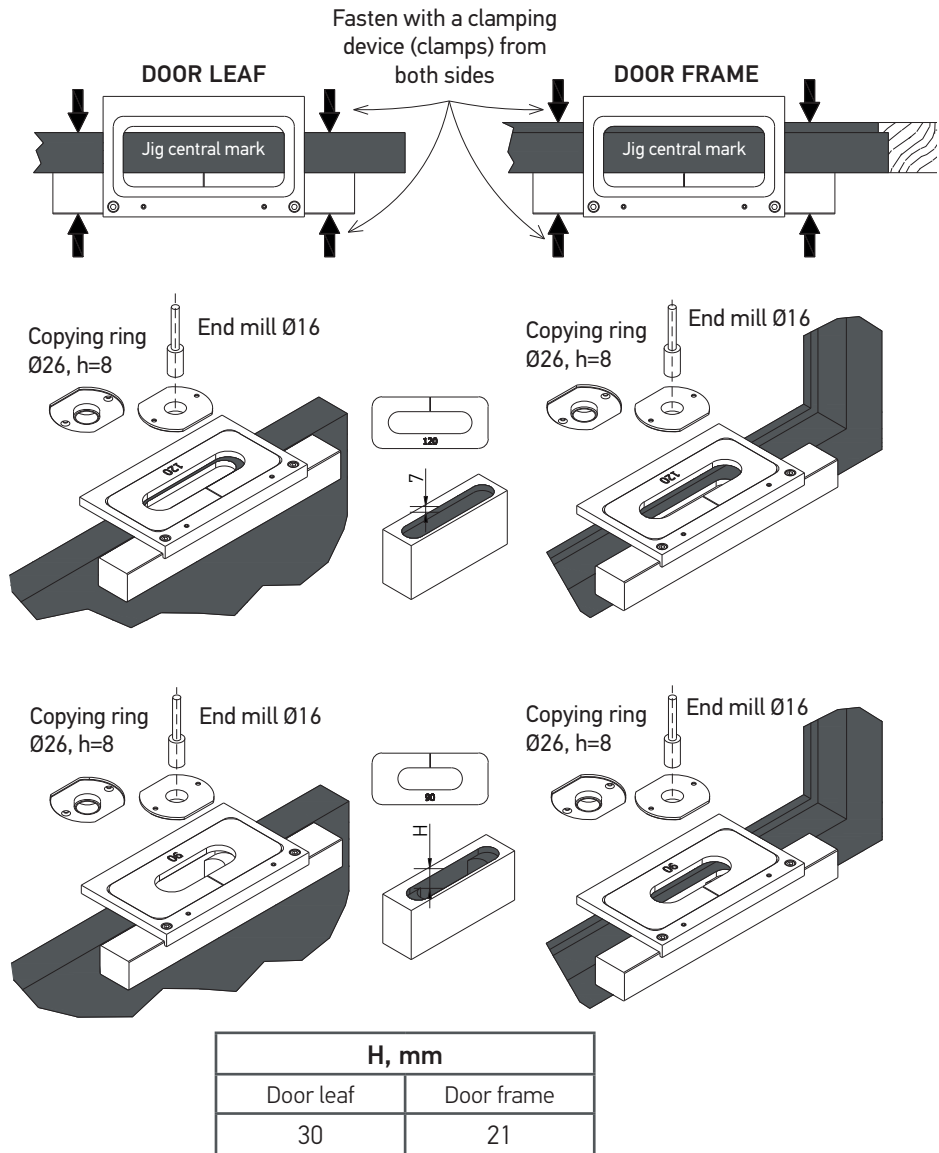


Required number of hinges*, pcs

	>2100	4	4	4	4	4
Door height, mm	2100	2	2	2	2	3
	2000	2	2	2	2	3
	1900	2	2	2	2	3
	1800	2	2	2	2	3
			600	700	800	900
		Door width, mm				

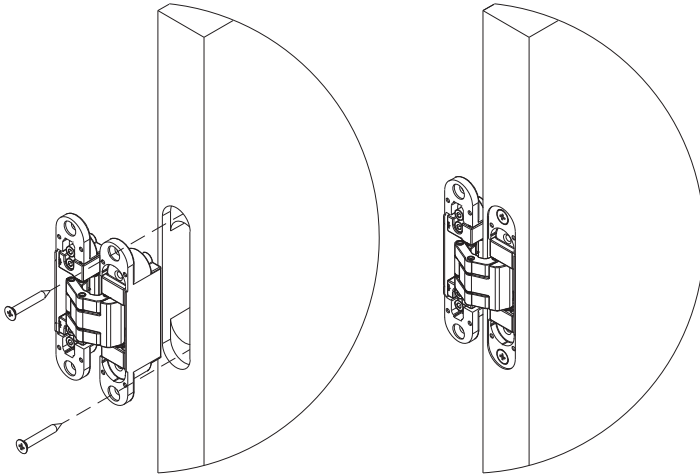
* Door weight up to 60 kg

MILLING PROCEDURE

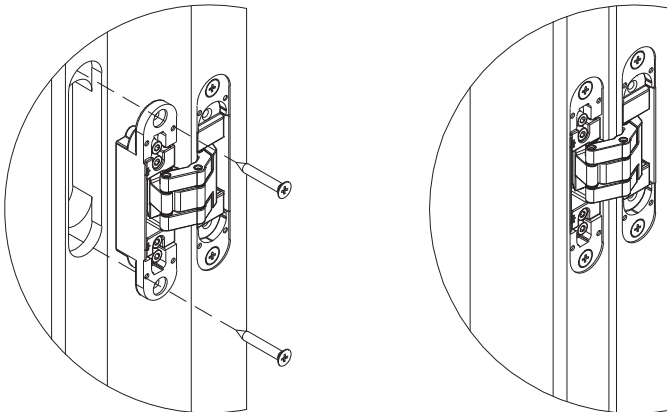


A7226-00-N03 - milling jig 24 mm

INSTALLATION PROCEDURE

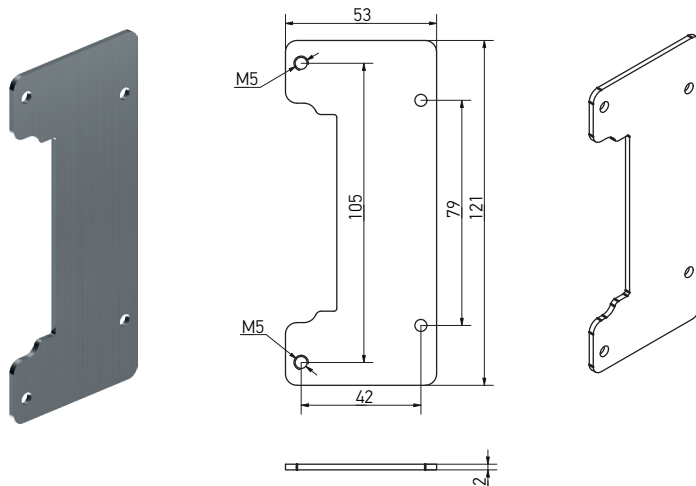


1. Install the hinges into the proper grooves on the door leaf, paying attention to the direction of opening (depth 30 mm).
2. Fix with screws $\varnothing 5$ x min. 35.

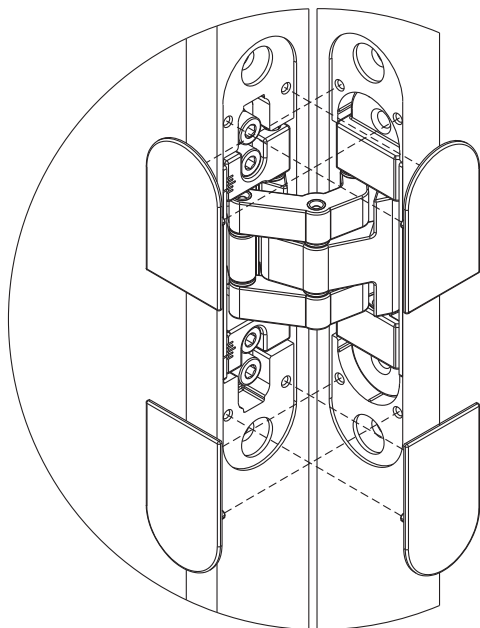


3. Install the door leaf on the door frame, inserting the hinges into the proper grooves (21 mm deep).
4. Fix with screws $\varnothing 5$ x min. 25.

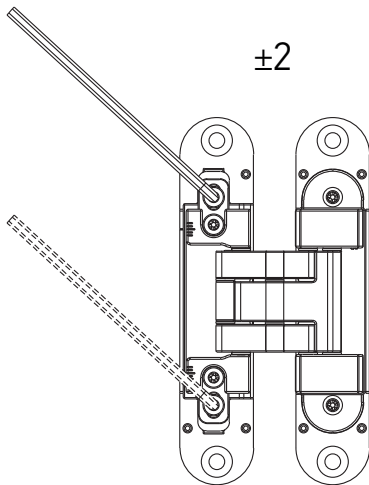
MOUNTING PLATE D9001-24-N03



INSTALLATION OF DECORATIVE COVERS

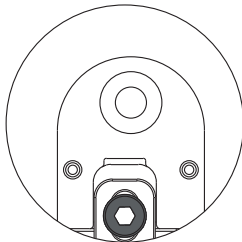


VERTICAL ADJUSTMENT

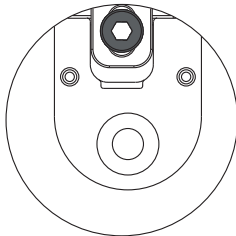


Within ±2 mm.

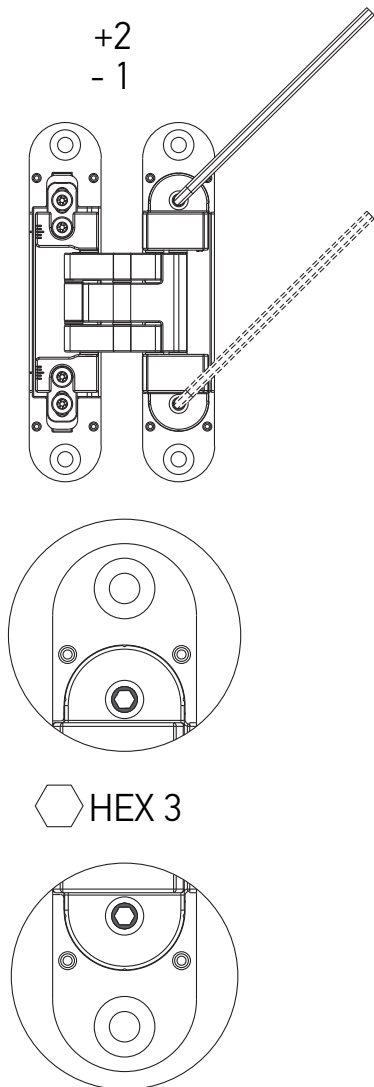
Vertical adjustment is carried out on the part of the hinge installed in the door frame. To make the adjustment, it is necessary to loosen the two specified screws with a 3 mm hex key and lift up the door leaf to the required position. Using of a flat screwdriver is allowed, which can be inserted into the groove between the body and the adjustable part of the hinge and used as an additional lever. Holding the door leaf in the required position, tighten the fastening screws.



 HEX 3

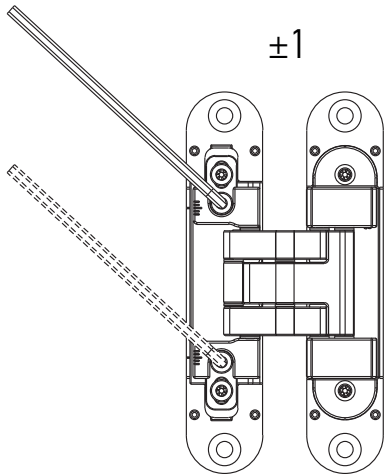


HORIZONTAL ADJUSTMENT



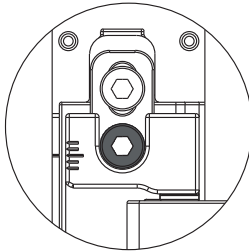
Within +2 mm (toward the hinges) / -1 mm. Horizontal adjustment is carried out on the part of the hinge installed in the door leaf. To make the adjustment, it is necessary to screw in or unscrew the two specified screws, using a 3 mm hex key, thereby setting the door leaf in the required position. It is not allowed to screw in or unscrew only one screw immediately to the extreme position, only sequential screwing.

DEPTH ADJUSTMENT

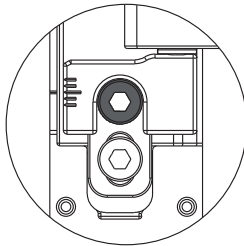


Within ± 1 mm.

Depth adjustment is carried out on the part of the hinge installed in the door frame. To make the adjustment, it is necessary to loosen the two specified screws, using a 3 mm hex key, and then install the door leaf in the required position. After adjustment, tighten the fastening screws.



 HEX 3



AXOR



AXOR INDUSTRY LLC

49041, Dnipro,
Pratsi Ave., 32
axorindustry.com