

AXOR[®]



DOOR LINE **DL**

STAR LINE 





DOOR LINE **DL**

Door Line is a product line of door locks. Like all AXOR products, door locks are characterized by:

- reliability and durability in the operation of all the elements;
- the strength of high-quality materials, of which all the components are made;
- unique protective surface coating that ensures high resistance to corrosion.

Closed, all-steel case of AXOR Door Line DL locks creates a finished aesthetic look of design and ensures all its components protection against ingress of dust and debris into the mechanism.

Door Line DL product range includes multi-point mortise locks, short one-point locks and locks for bathroom doors.

STAR LINE

Quality, functionality and stylish design are what the «Star Line series» of window and door handles are all about. High quality of products, what ensures a long service life of the product, and safety in operation. All handles are made of aluminum and high-strength plastic. AXOR's window handles are painted at own painting line. Our goal is to control every stage of production in order to be sure on 100% of finished product's quality.

«Star Line» window and door handles are truly stellar quality and appearance!

Easy changing of the door swing direction

Roller latch in the door lock accounts for direction of door's opening. Door lock of AXOR was made in such way that direction of door's opening can be changed to press on fixator from back side of door lock's body and to install that latch in required position.

Door casing extension

AXOR Door Line DL product range includes locks with a possibility of casing «extension» along the sash perimeter allowing you to install additional locking elements, which will ensure tight pressing of the door leaf against the frame and improve general structural integrity.

The possibility of using push handle sets with 3 screw holes

The design of AXOR Door Line DL locks allows you to use push handle sets with three fixing points (European standard) that allows you to securely fix the set on the door, thus ensuring longer service life.

Individual branding

AXOR Door Line DL locks have a special seat for branding by installation of a metal plate with your logo into the lock strike plate. The logo on the lock is a durable and non-standard advertising that adds distinctiveness to the product and successfully promotes your brand.

Security pins

AXOR Door Line DL locks may be fitted with mushroom pins in order to improve the lock's anti-burglar properties.

Deadbolt in AXOR Door Line DL locks

Key-operated mortise lock has a steel deadbolt. Handle-operated mortise lock and short mortise lock with a dornmass of 35 mm are fitted with a deadbolt with steel pins, thus making a door more resistant to break-in.

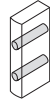
Legend



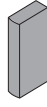
Screws number



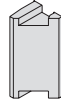
Zamak deadbolt



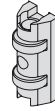
Steel pins in deadbolt



Steel deadbolt



Knob latch



Roller

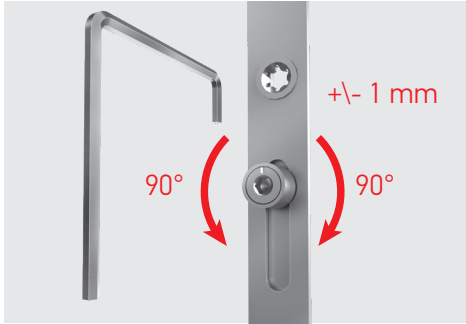


Rolling pin

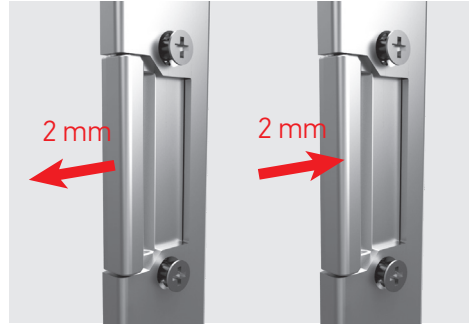


Security pin

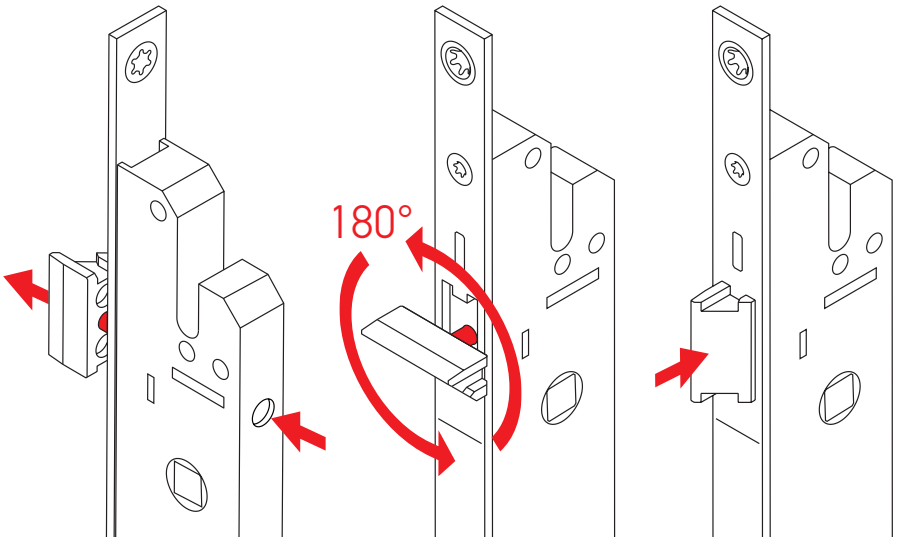
Pin adjustment



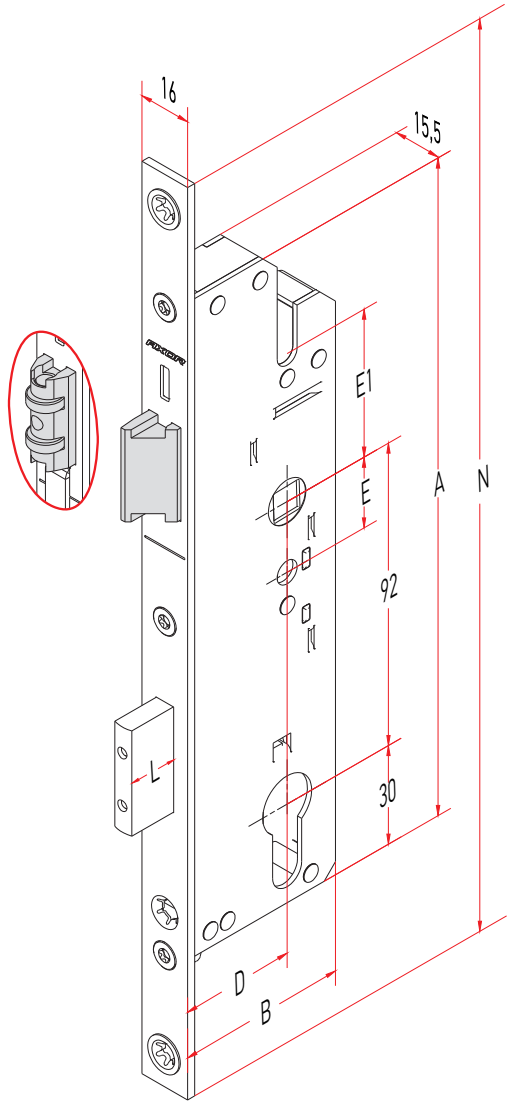
Door locking plate adjustment



Knob latch, changing of the door swing direction




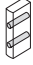

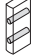



Mortise lock



Mortise lock

DOOR LINE DL

Part No.	D	Case dimensions			Deadbolt		Latch Type	Set fixing		
		N	A	B	L	Type		E	E1	
D1001-25-N03	25	278	200	43	13,5			21,5	45	2
D1001-35-N03	35	278	200	53	20			21,5	45	2
D1015-35-N03	35	278	200	53	20			—	—	2

D — dornmass N — double vent length L — deadbolt projection



Key-operated



European standard



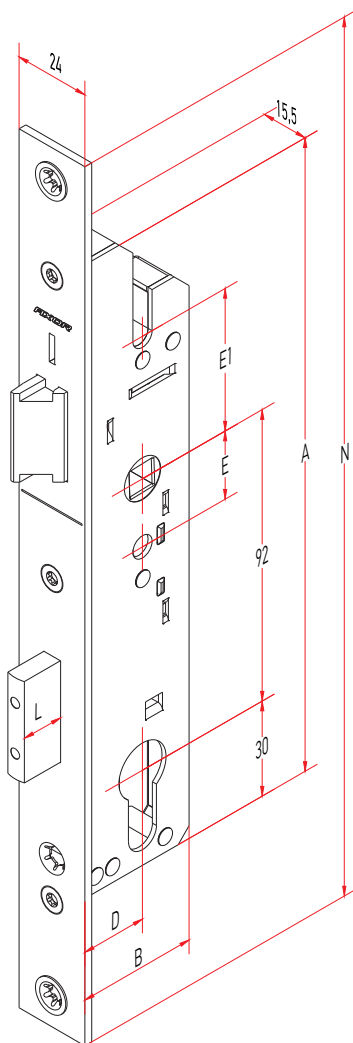
Latch
(direction change)



Branding

Mortise lock for aluminium doors

AXOR[®]



Key-operated








European standard



Latch
(direction change)



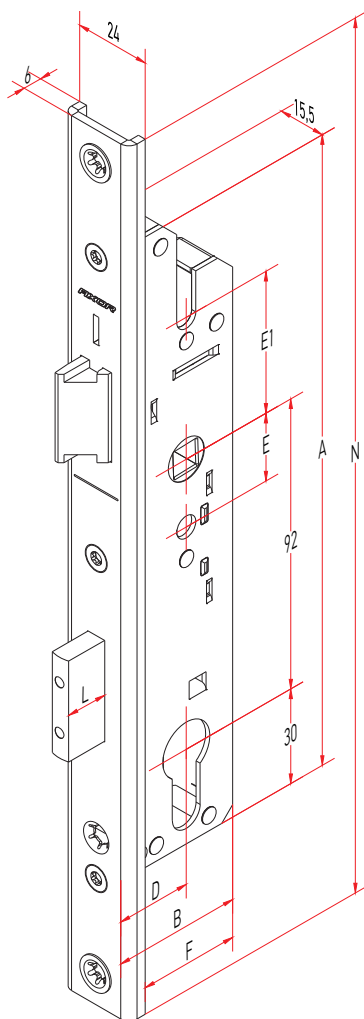
Branding

Part No.	D	Case dimensions			Deadbolt		Latch Type	Set fixing		
		N	A	B	L	Type		E	E1	
D1029-25-N03	25	278	200	43	13,5			21,5	45	2
D1029-35-N03	35	278	200	53	20			21,5	45	2

D — dornmass N — double vent length L — deadbolt projection

Mortise lock for aluminium doors

DOOR LINE **DL**



Key-operated








European standard



Latch
(direction change)



Branding

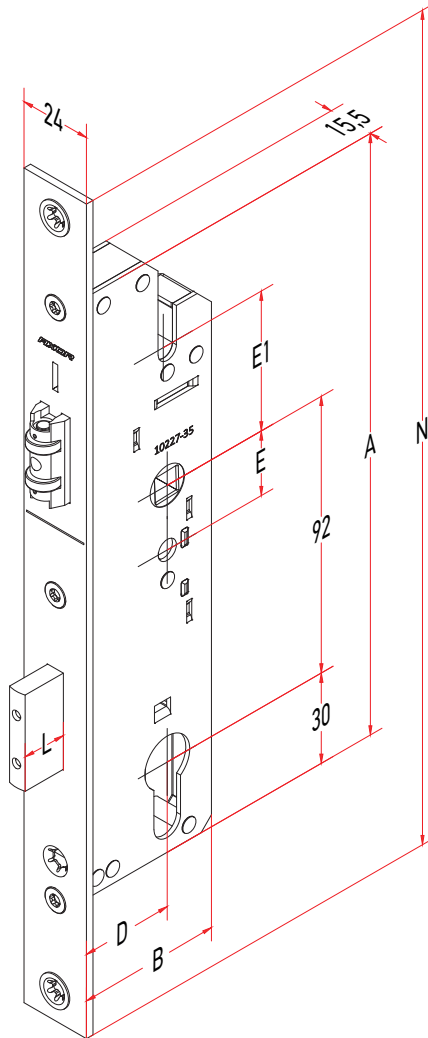
Part No.	D	Case dimensions				Deadbolt		Latch Type	Set fixing		
		N	A	B	F	L	Type		E	E1	
D1030-25-N03	25	278	200	43	37	13,5			21,5	45	2
D1030-35-N03	35	278	200	53	47	20			21,5	45	2

D — dornmass N — double vent length L — deadbolt projection

Mortise lock, 35/92 roller latch, 24 mm



Used on aluminum doors as the main fixing and locking element.



Key-operated



European standard



Branding

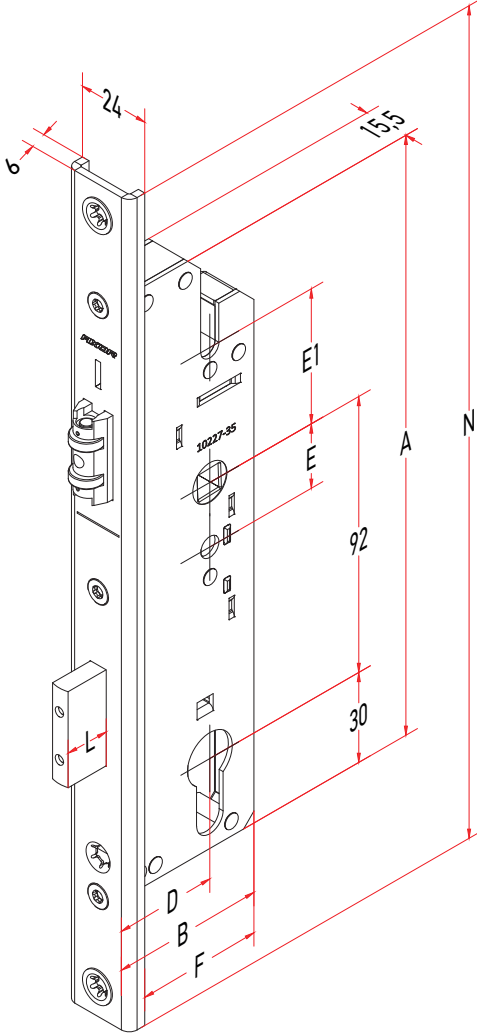
Part No.	D	Case dimensions			Deadbolt		Latch Type	Set fixing		
		N	A	B	L	Type		E	E1	
D1035-35-N03	35	278	200	53	20			21,5	45	2

D — dornmass N — double vent length L — deadbolt projection

Mortise lock, 35/92 roller latch, 6x24x6 mm

DOOR LINE DL

Used on aluminum doors as the main fixing and locking element.




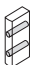

Key-operated



European standard

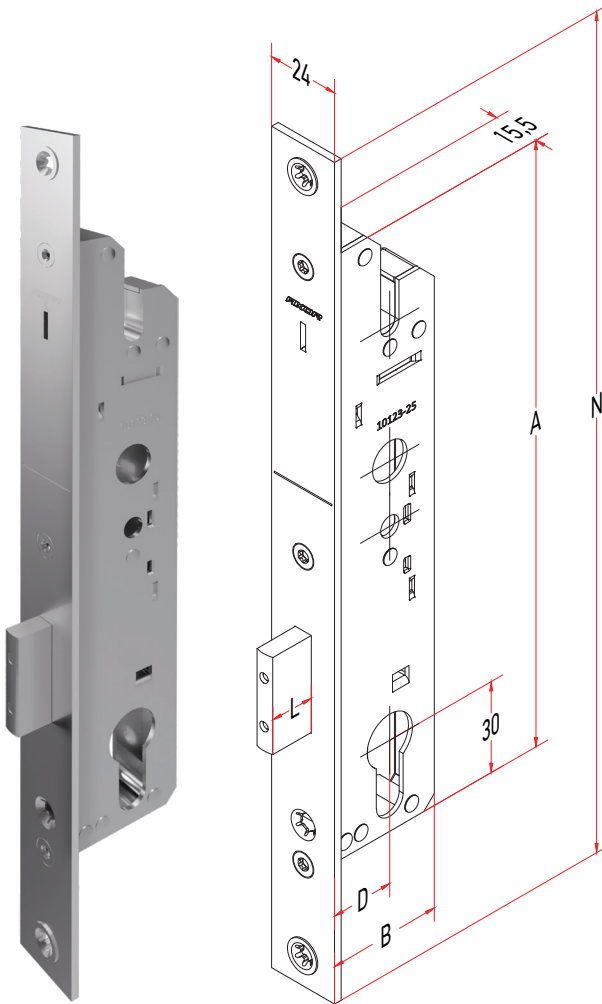


Branding

Part No.	D	Case dimensions				Deadbolt		Latch Type	Set fixing		
		N	A	B	F	L	Type		E	E1	
D1036-35-N03	35	278	200	53	47	20			21,5	45	2

D — dormant N — double vent length L — deadbolt projection

Mortise lock, 25/35 | 92, 24 mm (without latch)



Key-operated






European standard



Branding

Used on aluminum doors as an additional locking element that ensures safety and increased protection against breakage.

Part No.	D	Case dimensions			Deadbolt		
		N	A	B	L	Type	
D1037-25-N03	25	278	200	43	13,5		2
D1037-35-N03	35	278	200	53	20		2

D — dornmass N — double vent length L — deadbolt projection

Mortise lock, 25/35 | 92, 6x24x6 mm (without latch)

DOOR LINE DL



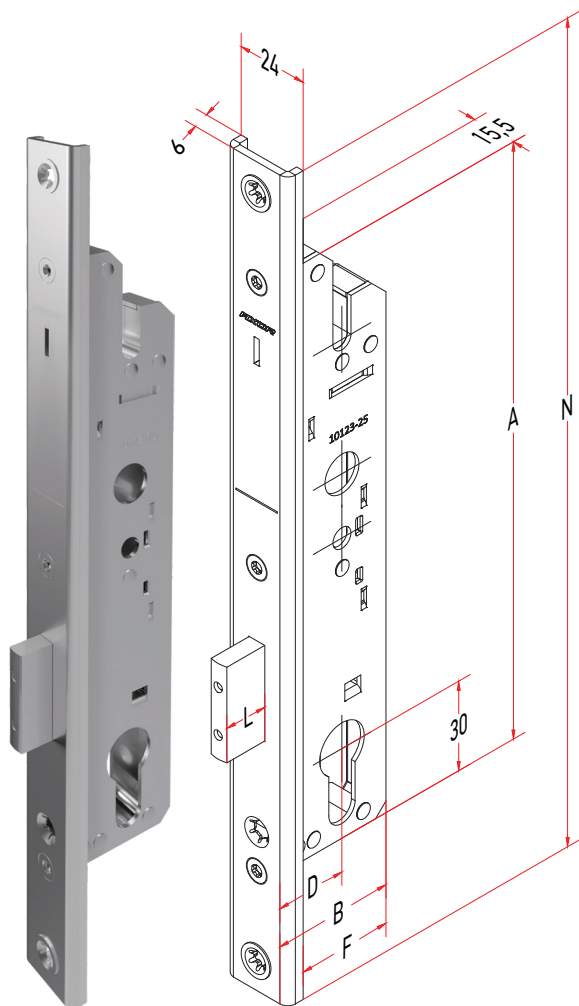
Key-operated



European standard



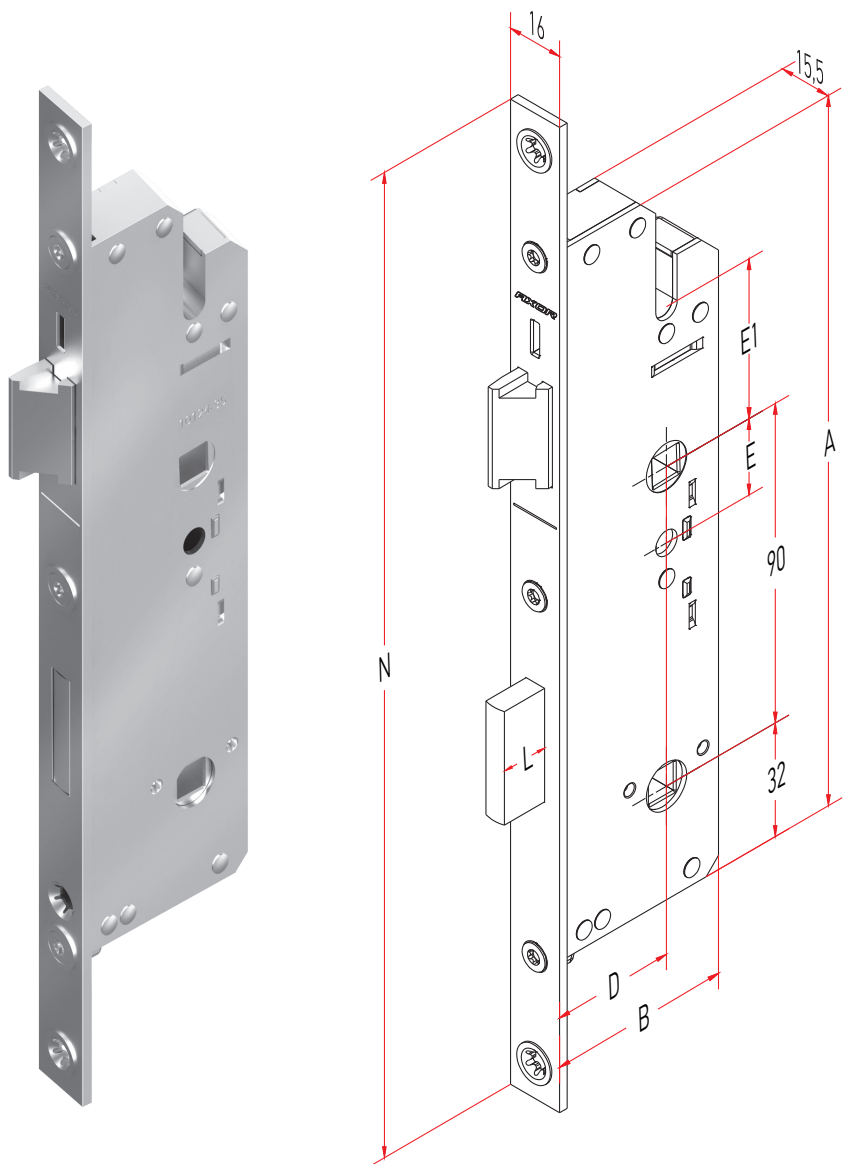
Branding








Used on aluminum doors as an additional locking element that ensures safety and increased protection against breakage.

Part No.	D	Case dimensions				Deadbolt		Screw
		N	A	B	F	L	Type	
D1038-25-N03	25	278	200	43	37	13,5		2
D1038-35-N03	35	278	200	53	47	20		2

D — dormant mass N — double vent length L — deadbolt projection



Part No.	D	Case dimensions			Deadbolt		Latch Type	Set fixing		
		N	A	B	L	Type		E	E1	
D1002-25-N03	25	278	200	43	13,5			21,5	45	2
D1002-35-N03	35	278	200	53	13,5			21,5	45	2

D — dornmass N — double vent length L — deadbolt projection



European standard

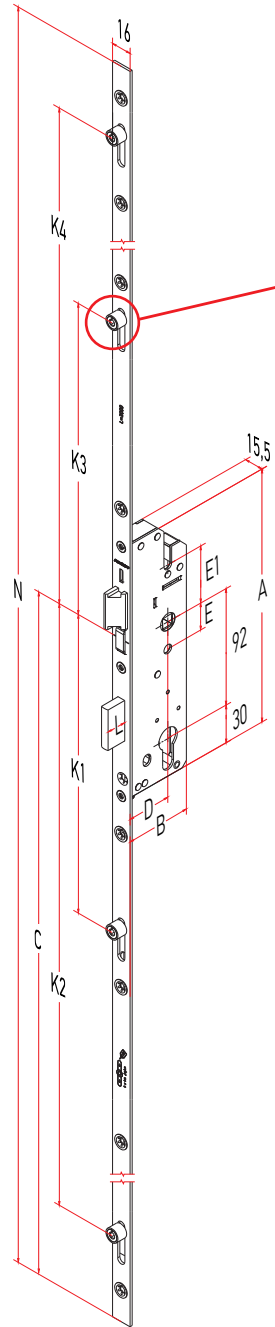


Latch
(direction change)






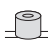








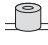






Branding

Multi-point door lock, handle-operated



Rolling pin

Multi-point door lock, handle-operated

Part No.	Application range	D	Case dimensions				Deadbolt		Latch	Locking pins arrangement				Set fixing			Pin
			N	A	B	C	L	Type	Type	K1	K2	K3	K4	E	E1		
D1003-25-N03	1600-1800	25	1600	200	43	1000	13,5			228	928	547	-	21,5	45	8	
D1003-35-N03	1600-1800	35	1600	200	53	1000	20			228	928	547	-	21,5	45	8	
D1004-25-N03	1801-2000	25	1800	200	43	1000	13,5			228	928	347	747	21,5	45	9	
D1004-35-N03	1801-2000	35	1800	200	53	1000	20			228	928	347	747	21,5	45	9	
D1005-25-N03	2001-2100	25	2000	200	43	1000	13,5			228	928	347	947	21,5	45	10	
D1005-35-N03	2001-2100	35	2000	200	53	1000	20			228	928	347	947	21,5	45	10	

D — dornmass N — double vent length L — deadbolt projection



Handle-operated



European standard



Latch
(direction change)

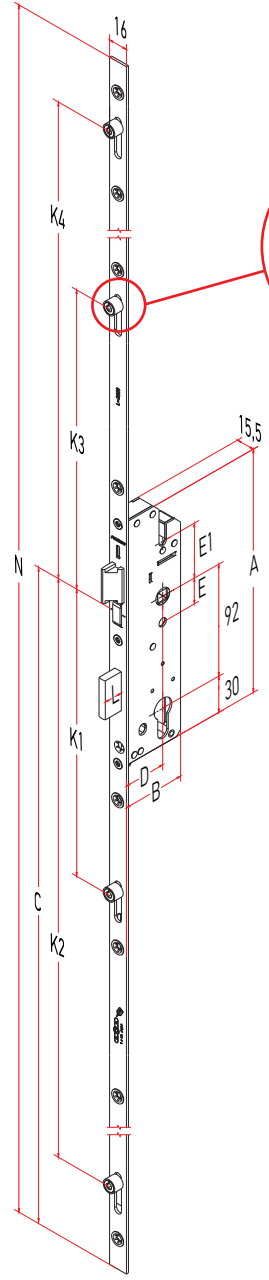


Security pin








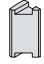


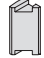

Branding

Multi-point door lock, key-operated



Rolling pin

Multi-point door lock, key-operated

Part No.	Application range	D	Case dimensions				Deadbolt		Latch	Locking pins arrangement				Set fixing			Pin
			N	A	B	C	L	Type	Type	K1	K2	K3	K4	E	E1		
D1007-35-N03	1600-1800	35	1600	200	53	1000	14,5			230	930	545	-	21,5	45	8	
D1008-35-N03	1801-2000	35	1800	200	53	1000	14,5			230	930	345	745	21,5	45	9	
D1009-35-N03	2001-2100	35	2000	200	53	1000	14,5			230	930	345	945	21,5	45	10	

D — dornmass N — double vent length L — deadbolt projection



Key-operated



European standard



Latch
(direction change)

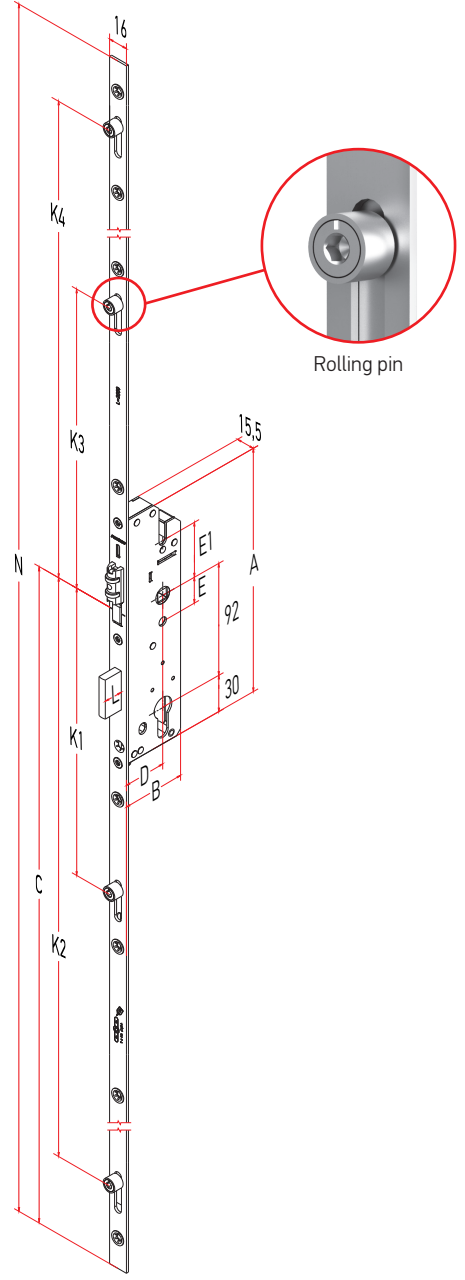


Security pin


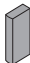


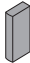







Branding

Multi-point door lock, key-operated



Multi-point door lock, key-operated

Part No.	Application range	D	Case dimensions				Deadbolt		Latch	Locking pins arrangement				Set fixing			Pin
			N	A	B	C	L	Type	Type	K1	K2	K3	K4	E	E1		
D1011-35-N03	1600-1800	35	1600	200	53	1000	14,5			230	930	545	-	21,5	45	8	
D1012-35-N03	1801-2000	35	1800	200	53	1000	14,5			230	930	345	745	21,5	45	9	
D1013-35-N03	2001-2100	35	2000	200	53	1000	14,5			230	930	345	945	21,5	45	10	

D — dornmass N — double vent length L — deadbolt projection



Key-operated



European standard



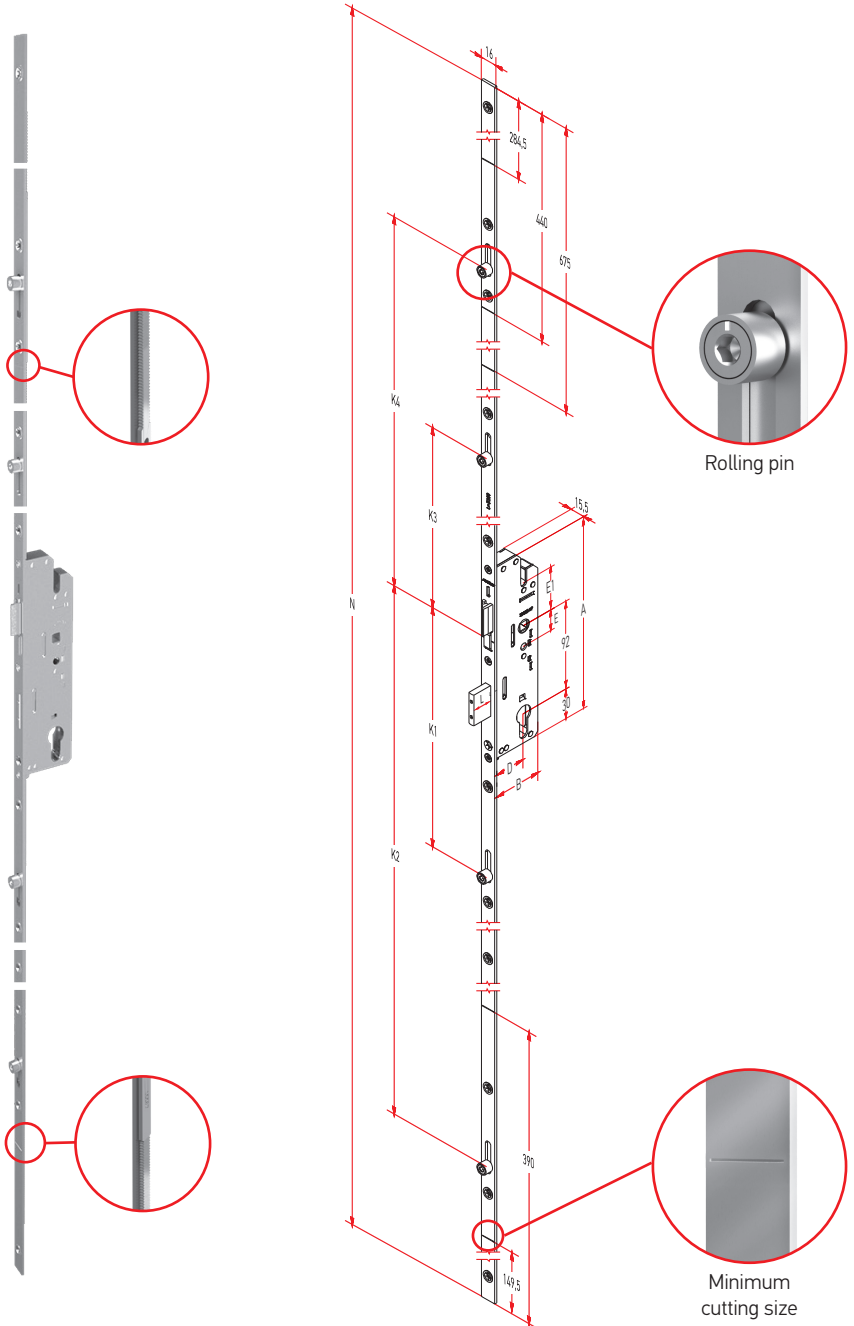
Security pin



Branding

Multi-point door lock, handle-operated


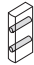


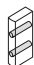


(with additional gear connections and the possibility of connection with a corner transmission)



Multi-point door lock, handle-operated

DOOR LINE DL

(with additional gear connections and the possibility of connection with a corner transmission)

Part No.	D	Case dimensions			Deadbolt		Latch Type	Locking pins arrangement				Set fixing			Pin
		N	A	B	L	Type		K1	K2	K3	K4	E	E1		
D1031-25-N03	25	2100	200	43	13,5			226	756	272	450	21,5	45	11	
D1031-35-N03	35	2100	200	53	20			228	756	272	722	21,5	45	11	

D — dornmass N — double vent length L — deadbolt projection
 Application range subject to extension: 1575 - 2730 mm.



Handle-operated



European standard



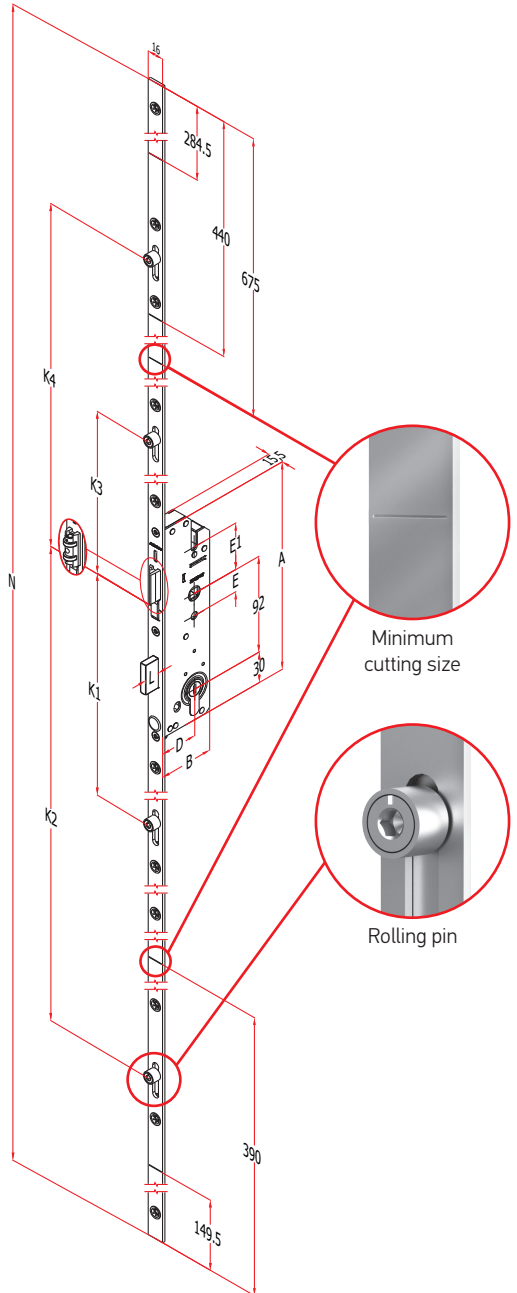
Latch
(direction change)



Branding

Multi-point door lock, key-operated


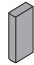


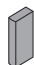

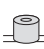
35/92 mm backset with additional part for extension



Multi-point door lock, key-operated

35/92 mm backset with additional part for extension

DOOR LINE **DL**

Part No.	D	Case dimensions			Deadbolt		Latch Type	Locking pins arrangement				Set fixing			Pin
		N	A	B	L	Type		K1	K2	K3	K4	E	E1		
D1040-35-N03	35	2100	200	53	14,5			230	758	270	720	21,5	45	11	
D1044-35-N03	35	2100	200	53	14,5			230	758	270	720	21,5	45	11	

D — dornmass N — double vent length L — deadbolt projection

Application range subject to extension: 1575 - 2730 mm.



Key-operated



European standard

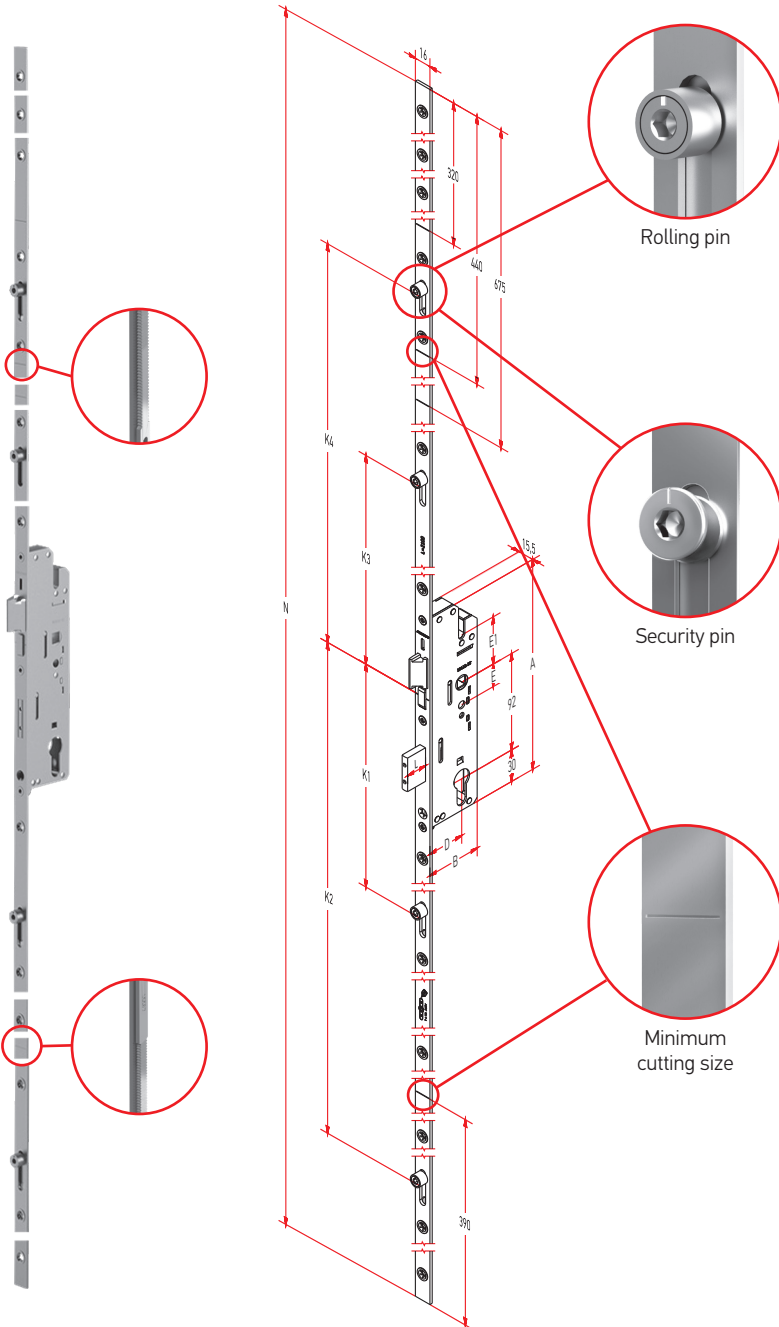


Latch
(direction change)



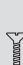
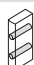


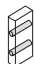


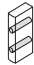


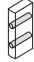


Branding

Extendable multi-point door lock, handle-operated



Extendable multi-point door lock, handle-operated

DOOR LINE DL

Part No.	D	Case dimensions			Deadbolt		Latch Type	Locking pins arrangement				Set fixing			Pin
		N	A	B	L	Type		K1	K2	K3	K4	E	E1		
D1006-25-N03	25	2100	200	43	13,5			228	773	272	722	21,5	45	13	
D1006-35-N03	35	2100	200	53	20			228	773	272	722	21,5	45	13	
D1016-25-N03	25	2100	200	43	13,5			228	773	272	722	21,5	45	13	
D1016-35-N03	35	2100	200	53	20			228	773	272	722	21,5	45	13	

D — dornmass N — double vent length L — deadbolt projection
Application range subject to extension: 1685 - 2400 mm.



Handle-operated



European standard

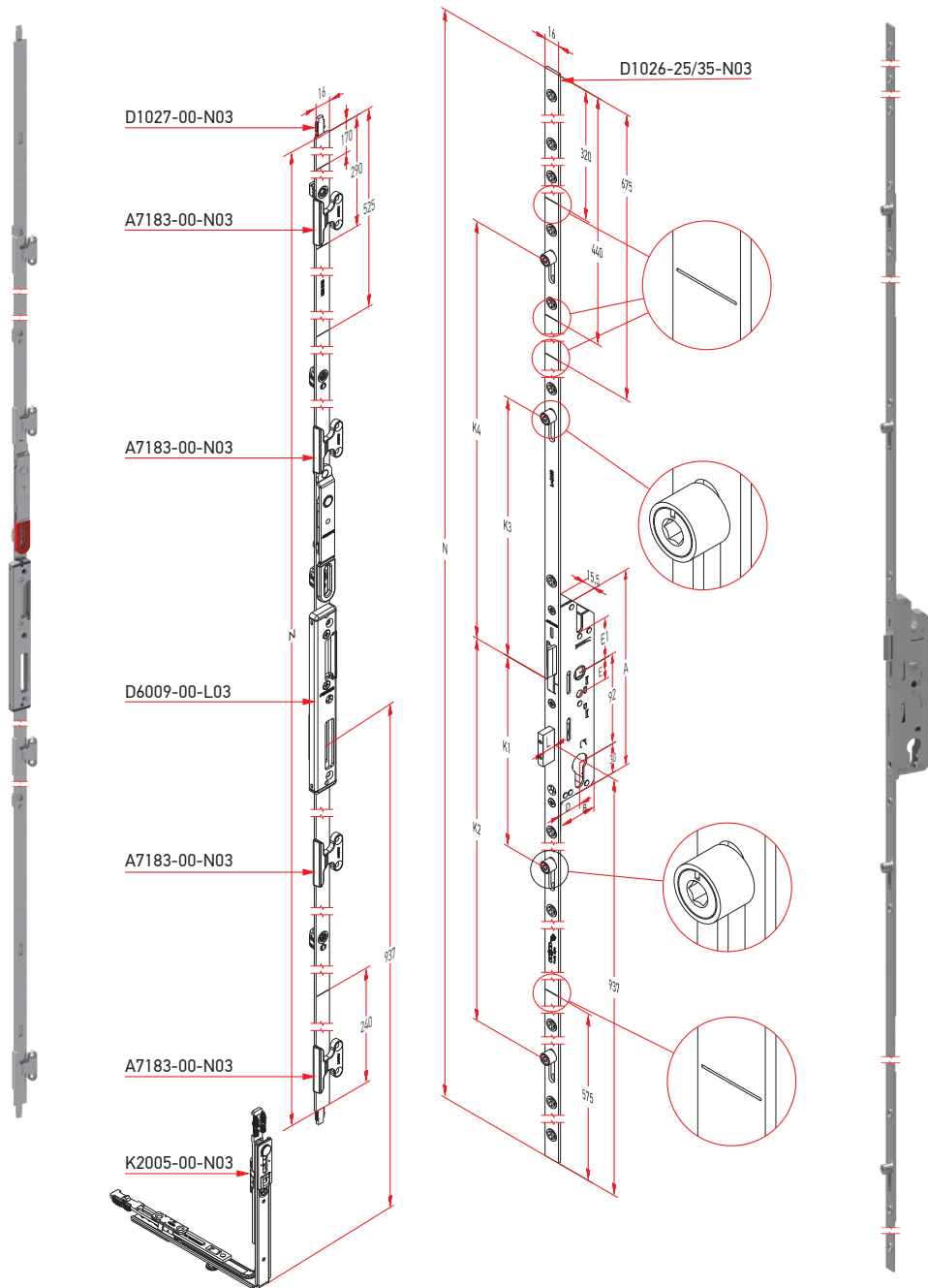


Latch
(direction change)



Branding


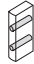

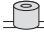
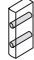


Set for double sash doors (entrance group)



Set for double sash doors (entrance group)

DOOR LINE DL

Extendable multi-point door lock, handle-operated

Part No.	D	Case dimensions			Deadbolt		Latch Type	Locking pins arrangement				Set fixing			Pin
		N	A	B	L	Type		K1	K2	K3	K4	E	E1		
D1026-25-N03	25	2100	200	43	13,5			226	771	272	723	21,5	45	12	
D1026-35-N03	35	2100	200	53	20			226	771	272	723	21,5	45	12	

Double sash lever door

Part No.	N
D1027-00-N03	1800

D — dornmass N — double vent length L — deadbolt projection



Handle-operated



European standard

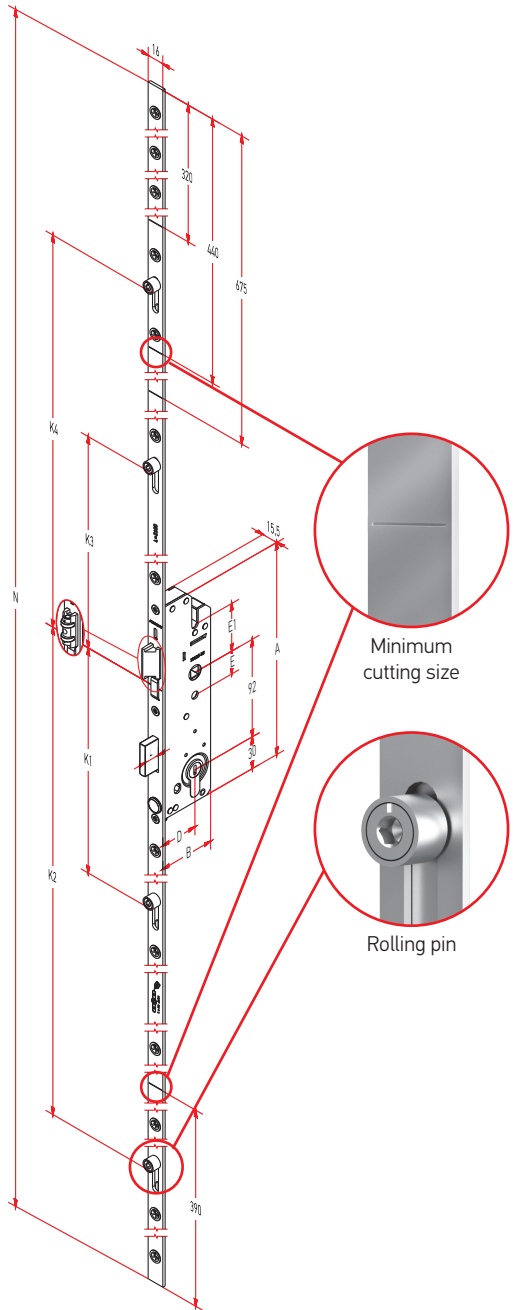


Latch
(direction change)




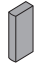



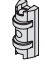


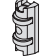

Branding

Extendable multi-point door lock, key-operated



Extendable multi-point door lock, key-operated

DOOR LINE DL

Part No.	D	Case dimensions			Deadbolt		Latch Type	Locking pins arrangement				Set fixing			Pin
		N	A	B	L	Type		K1	K2	K3	K4	E	E1		
D1010-35-N03	35	2100	200	53	14,5			230	775	270	720	21,5	45	13	
D1014-35-N03	35	2100	200	53	14,5			230	775	270	720	21,5	45	13	
D1028-35-N03	35	2100	200	53	14,5			230	775	270	720	21,5	45	13	

D — dornmass N — double vent length L — deadbolt projection

Application range subject to extension: 1685 - 2400 mm.



Key-operated



European standard



Latch
(direction change)

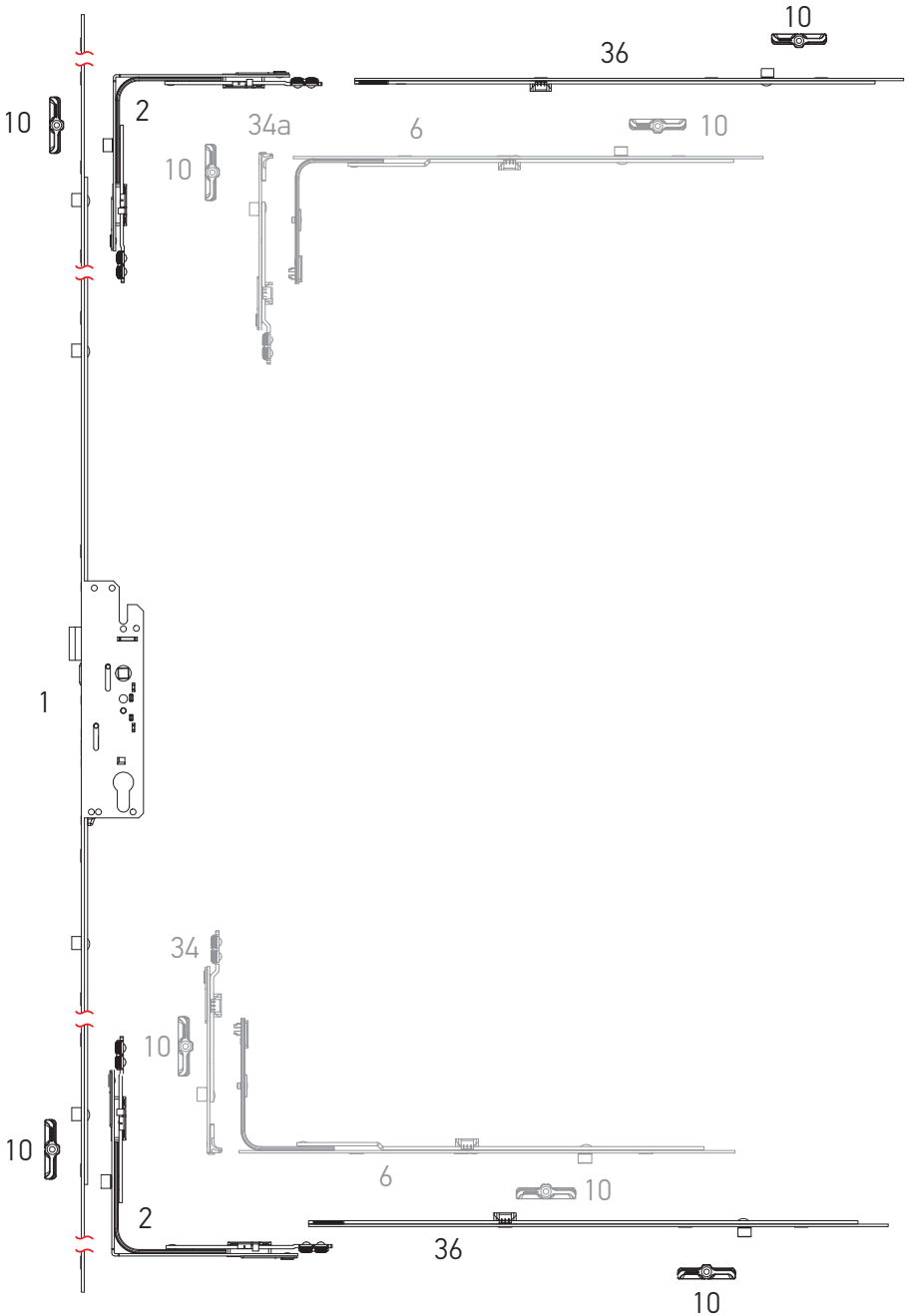


Security pin



Branding

Hardware for extendable multi-point door locks

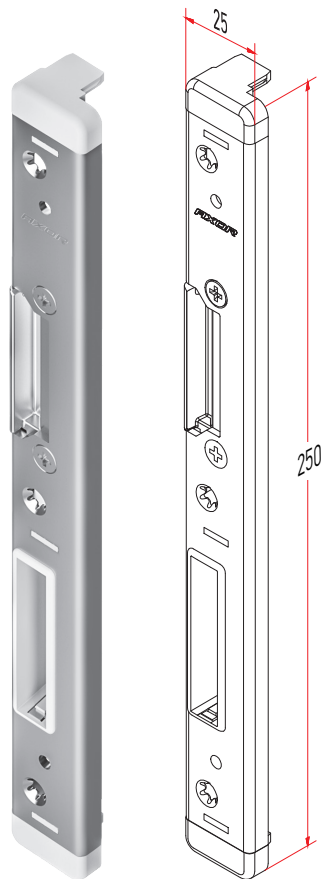
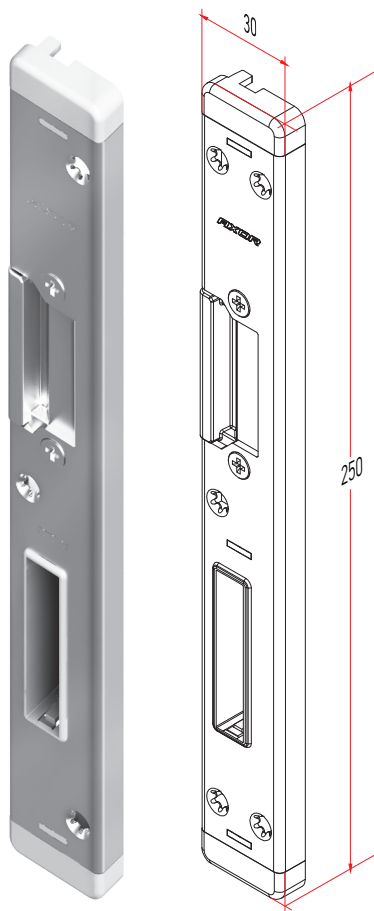


Hardware for extendable multi-point door locks

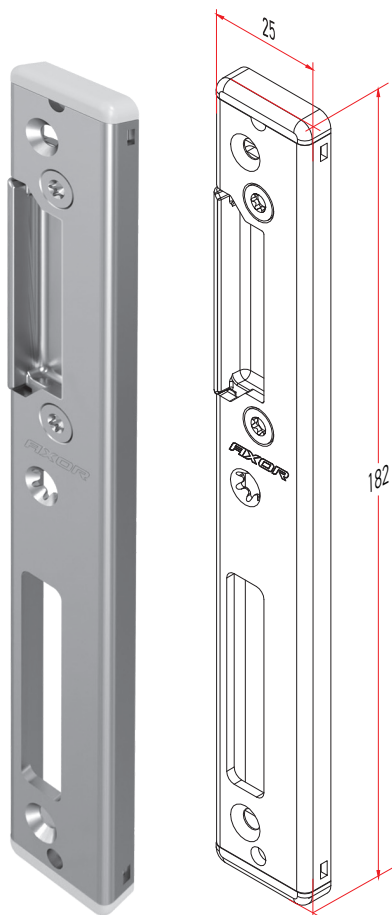
Nº	Description	Application range by width	Application range by height	Part No.
	Extendable multi-point door lock, handle-operated	–	1685-2400	D1006-25-N03
	Extendable multi-point door lock, handle-operated	–	1685-2400	D1006-35-N03
	Extendable multi-point door lock, handle-operated	–	1685-2400	D1016-25-N03
1	Extendable multi-point door lock, handle-operated	–	1685-2400	D1016-35-N03
	Extendable multi-point door lock, key-operated	–	1685-2400	D1010-35-N03
	Extendable multi-point door lock, key-operated	–	1685-2400	D1014-35-N03
2	Corner transmission 150x150	330-1280	450-2390	K2001-00-N03
	Middle lock L=400, 1 ML	600-1000	–	K4001-04-N03
6	Middle lock L=650, 1 ML	850-1250	–	K4001-06-N03
10	Locking plate	–	–	*
34	Bottom extension for turn sash 90°	–	–	K4007-00-N03
34a	Bottom extension for turn sash 180°	–	–	K4011-00-N03
36	Extension lock for corner transmission L=480 mm	–	–	K4010-00-N03

* – look at the technical catalog KOMFORT LINE K-3 "Profile-dependent elements" section

Door locking plate

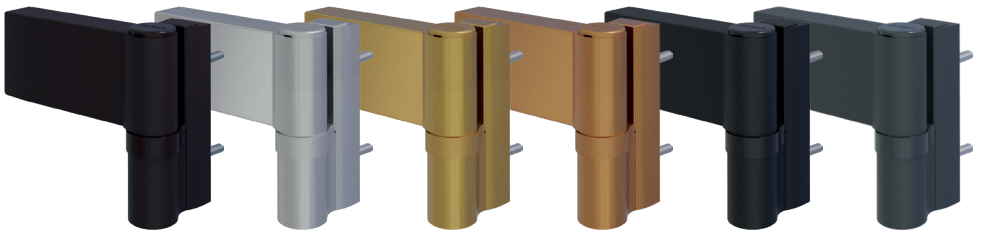
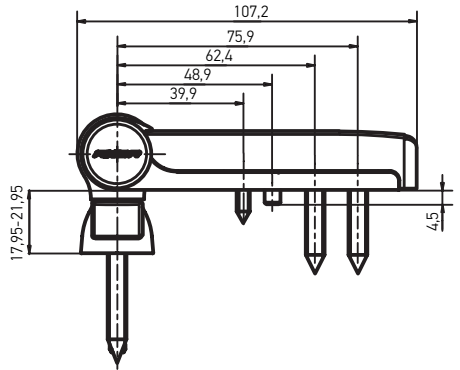
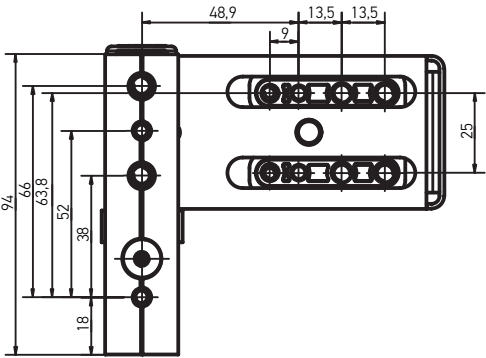


Part No.	Compatible profile
D6001-13-L03 \ D6001-13-R03	WDS, Veka, Aluplast
D6002-13-L03 \ D6002-13-R03	KBE, Gealan
D6003-13-L03 \ D6003-13-R03	Rehau
D6004-13-L03 \ D6004-13-R03	Wintech 532
D6005-13-L03 \ D6005-13-R03	Deceuninck
D6006-09-L03 \ D6006-09-R03	KBE
D6008-13-L03 \ D6008-13-R03	Double sash
D6009-00-L03 \ D6009-00-R03	Double sash



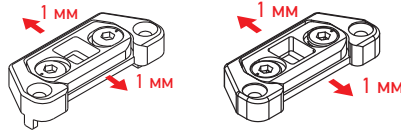
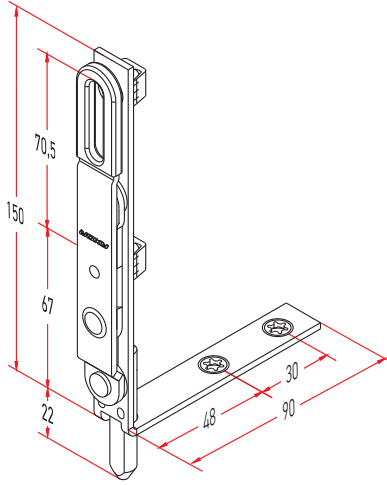
Part No.	Name
D6014-00-L03	Door locking plate for aluminium doors, left
D6014-00-R03	Door locking plate for aluminium doors, right

Door hinge 3D PVC



Part No.	Maximum sash weight	Application range by sash overlap	Color (RAL)	Number of screws, pcs.
D5001-18-N01M	120 kg	16-20 mm	White RAL9016 matte	8
D5001-20-N01M		18-22 mm		
D5001-22-N01M		20-24 mm		
D5001-18-N02M	120 kg	16-20 mm	Brown RAL8022 matte	8
D5001-20-N02M		18-22 mm		
D5001-22-N02M		20-24 mm		
D5001-18-N03	120 kg	16-20 mm	Silver	8
D5001-20-N03		18-22 mm		
D5001-22-N03		20-24 mm		
D5001-18-N05	120 kg	16-20 mm	Gold	8
D5001-20-N05		18-22 mm		
D5001-22-N05		20-24 mm		
D5001-18-N06	120 kg	16-20 mm	Bronze	8
D5001-20-N06		18-22 mm		
D5001-22-N06		20-24 mm		
D5001-18-N07M	120 kg	16-20 mm	Black RAL9005 matte	8
D5001-20-N07M		18-22 mm		
D5001-22-N07M		20-24 mm		
D5001-18-N09M	120 kg	16-20 mm	Anthracite RAL7016 matte	8
D5001-20-N09M		18-22 mm		
D5001-22-N09M		20-24 mm		

Shoot bolt for door

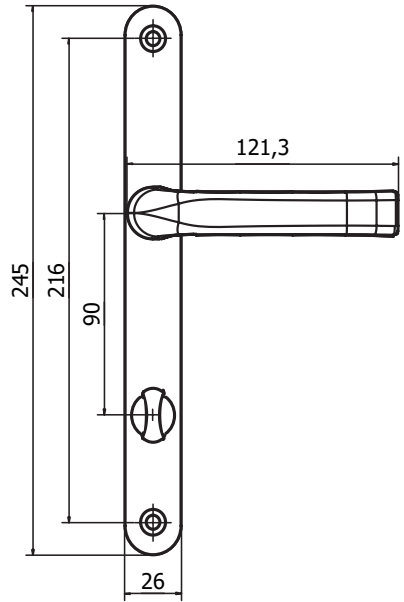


Part No.	Name
K4016-00-N03	Shoot bolt for door 22 mm
K4043-00-N03	Shoot bolt for door 18 mm
K6018-13-N03	Shoot bolt locking plate 13 mm.
K6019-13-N03	Shoot bolt locking plate for aluminium doorstep 13 mm.

Brass lock cylinders



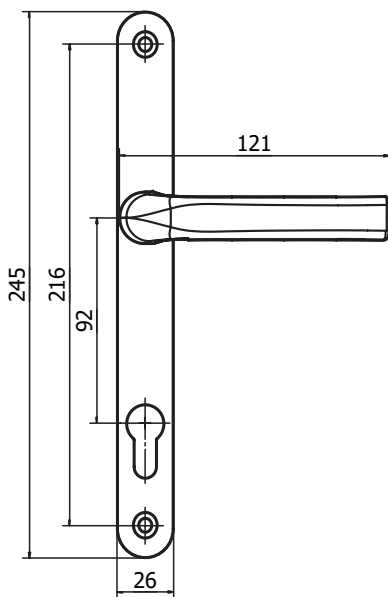
Part No.	Type
D7001-80-N03	40x40. KEY-KEY
D7002-85-N03	40x45. KEY-KEY
D7003-90-N03	45x45. KEY-KEY
D7004-95-N03	45x50. KEY-KEY
D7005-80-N03	40x40. KEY-HANDLE
D7006-90-N03	45x45. KEY-HANDLE



Part No.	Door leaf thickness, mm	Center distance, mm	Plank width, mm	Color
D8003-90-N01M	55-62	90	26	White RAL9016 matte
D8003-90-N02M	55-62	90	26	Brown RAL8022 matte
D8003-90-N07M	55-62	90	26	Black RAL9005 matte

Door handle set «Carina»,
26 mm, for a door cylinder

AXOR®



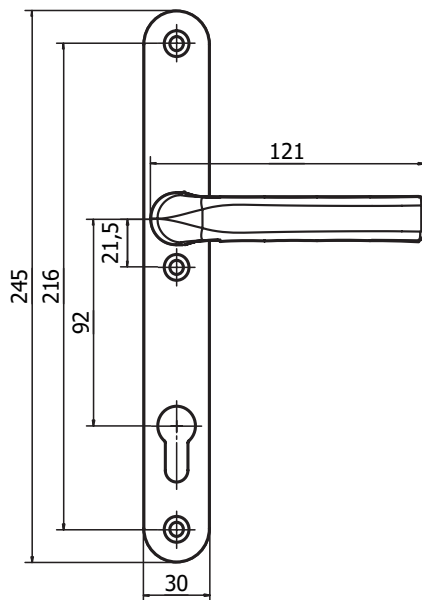
Door handle set «Carina», 26 mm, for a door cylinder

STAR LINE 

Part No.	Door leaf thickness, mm	Center distance, mm	Plank width, mm	Color
D8003-92-N01M	55-62	92	26	White RAL9016 matte
D8004-92-N01M	67-72	92	26	
D8005-92-N01M	75-82	92	26	
D8003-92-N02M	55-62	92	26	Brown RAL8022 matte
D8004-92-N02M	67-72	92	26	
D8005-92-N02M	75-82	92	26	
D8003-92-N03	55-62	92	26	Silver
D8004-92-N03	67-72	92	26	
D8005-92-N03	75-82	92	26	
D8003-92-N05	55-62	92	26	Gold
D8004-92-N05	67-72	92	26	
D8005-92-N05	75-82	92	26	
D8003-92-N06	55-62	92	26	Bronze
D8004-92-N06	67-72	92	26	
D8005-92-N06	75-82	92	26	
D8003-92-N07M	55-62	92	26	Black RAL9005 matte
D8004-92-N07M	67-72	92	26	
D8005-92-N07M	75-82	92	26	
D8003-92-N09M	55-62	92	26	Anthracite RAL7016 matte
D8004-92-N09M	67-72	92	26	
D8005-92-N09M	75-82	92	26	
D8003-92-N0901M	55-62	92	26	External
D8004-92-N0901M	67-72	92	26	Anthracite RAL7016 matte
D8005-92-N0901M	75-82	92	26	Internal White RAL9016 matte
D8003-92-N0201M	55-62	92	26	External
D8004-92-N0201M	67-72	92	26	Brown RAL8022 matte
D8005-92-N0201M	75-82	92	26	Internal White RAL9016 matte

Door handle set «Carina»,
30 mm, for a door cylinder

AXOR[®]



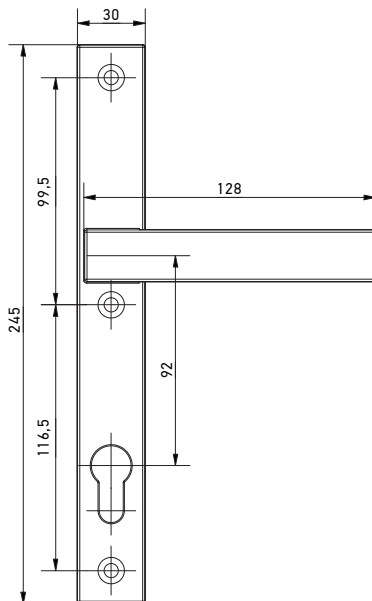
Door handle set «Carina», 30 mm, for a door cylinder

STAR LINE 

Part No.	Door leaf thickness, mm	Center distance, mm	Plank width, mm	Color
D8006-92-N01M	55-62	92	30	White RAL9016 matte
D8007-92-N01M	67-72	92	30	
D8008-92-N01M	75-82	92	30	
D8006-92-N02M	55-62	92	30	Brown RAL8022 matte
D8007-92-N02M	67-72	92	30	
D8008-92-N02M	75-82	92	30	
D8006-92-N03	55-62	92	30	Silver
D8007-92-N03	67-72	92	30	
D8008-92-N03	75-82	92	30	
D8006-92-N05	55-62	92	30	Gold
D8007-92-N05	67-72	92	30	
D8008-92-N05	75-82	92	30	
D8006-92-N06	55-62	92	30	Bronze
D8007-92-N06	67-72	92	30	
D8008-92-N06	75-82	92	30	
D8006-92-N07M	55-62	92	30	Black RAL9005 matte
D8007-92-N07M	67-72	92	30	
D8008-92-N07M	75-82	92	30	
D8006-92-N09M	55-62	92	30	Anthracite RAL7016 matte
D8007-92-N09M	67-72	92	30	
D8008-92-N09M	75-82	92	30	

Door handle set «Astrum», 30 mm, for a door cylinder

AXOR®



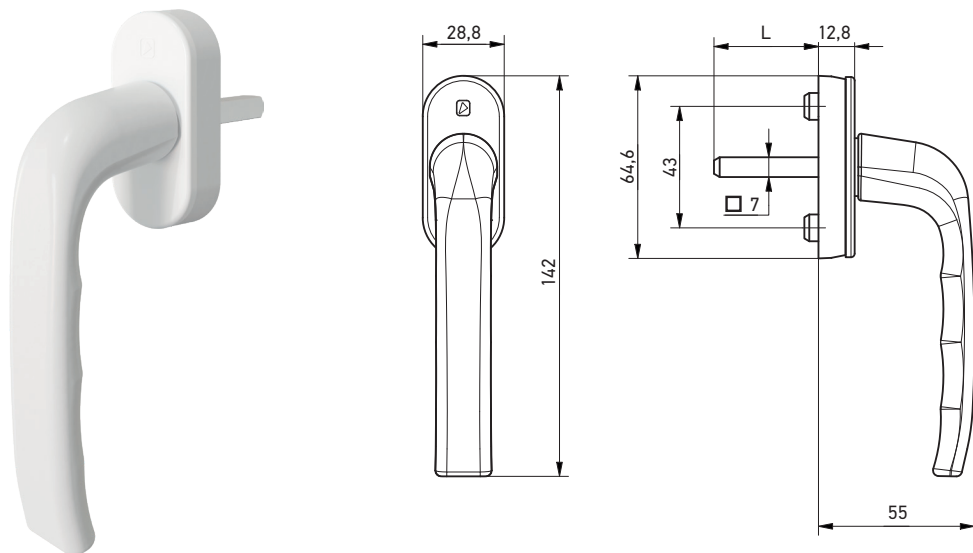
Door handle set «Astrum», 30 mm, for a door cylinder

STAR LINE 

Part No.	Door leaf thickness, mm	Center distance, mm	Plank width, mm	Color
D8009-92-N01M	55-82	92	30	White RAL9016 matte
D8009-92-N09M	55-82	92	30	Anthracite RAL7016 matte
D8009-92-N19	55-82	92	30	Anthracite сiрий RAL7024
D8009-92-N12M	55-82	92	30	Brown RAL8019 matte
D8009-92-N02M	55-82	92	30	Brown RAL8022 matte
D8009-92-N07M	55-82	92	30	Black RAL9005 matte
D8009-92-N06	55-82	92	30	Bronze
D8009-92-N05	55-82	92	30	Gold
D8009-92-N03	55-82	92	30	Silver

Window handle «Carina»

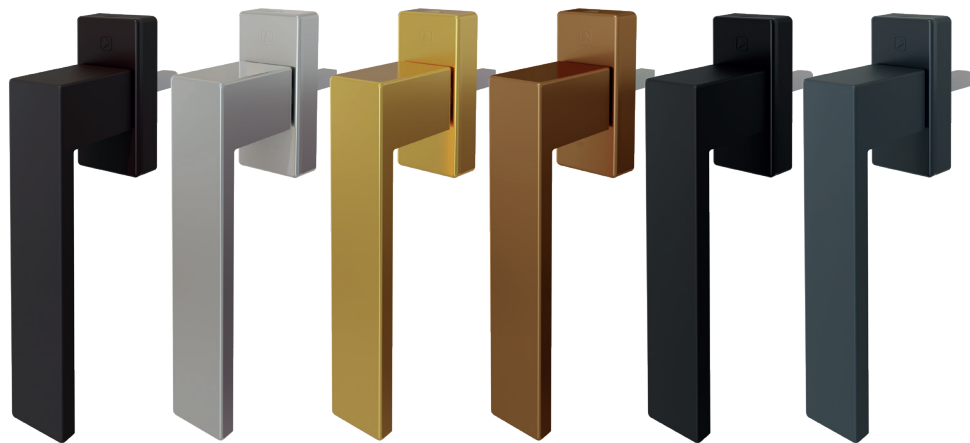
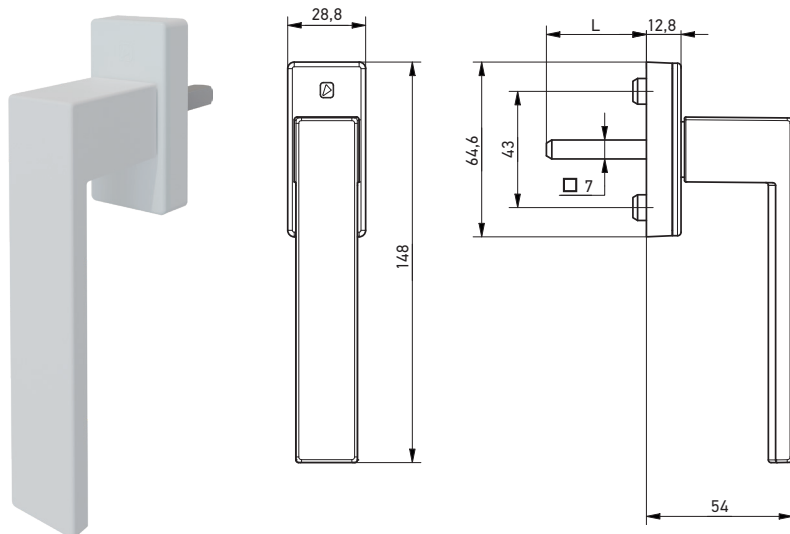
AXOR®



Part No.	L, mm	Number of fixation positions	Color
A7204-37-N01M	37	8	White RAL9016 matte
A7204-43-N01M	43	8	
A7204-37-N02M	37	8	Brown RAL8022 matte
A7204-43-N02M	43	8	
A7204-37-N03	37	8	Silver
A7204-43-N03	43	8	
A7204-37-N05	37	8	Gold
A7204-43-N05	43	8	
A7204-37-N06	37	8	Bronze
A7204-43-N06	43	8	
A7204-37-N07M	37	8	Black RAL9005 matte
A7204-43-N07M	43	8	
A7204-37-N09M	37	8	Anthracite RAL7016 matte
A7204-43-N09M	43	8	

Window handle «Astrum»

AXOR®



Part No.	L, mm	Number of fixation positions	Color
A7208-37-N01M	37	8	White RAL9016 matte
A7208-43-N01M	43	8	
A7208-37-N02M	37	8	Brown RAL8022 matte
A7208-43-N02M	43	8	
A7208-37-N03	37	8	Silver
A7208-43-N03	43	8	
A7208-37-N05	37	8	Gold
A7208-43-N05	43	8	
A7208-37-N06	37	8	Bronze
A7208-43-N06	43	8	
A7208-37-N07M	37	8	Black RAL9005 matte
A7208-43-N07M	43	8	
A7208-37-N09M	37	8	Anthracite RAL7016 matte
A7208-43-N09M	43	8	

AXOR®



axorindustry.com



+38 067 55-42-777



infoaxor@axorindustry.com



instagram.com/axor_live



facebook.com/AxorIndustry